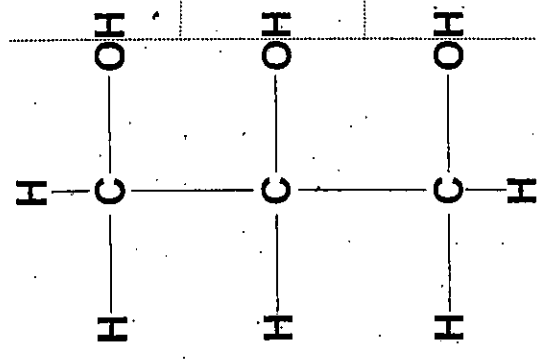
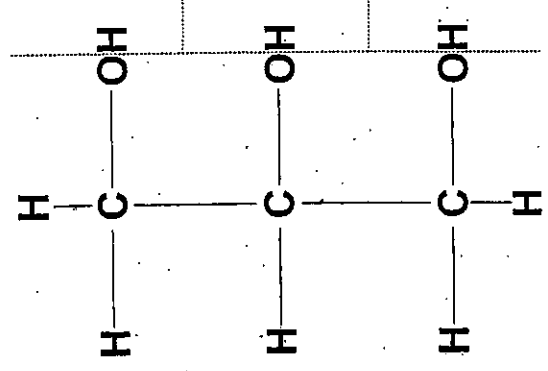
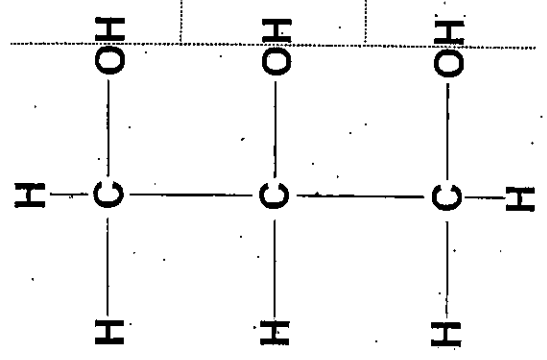
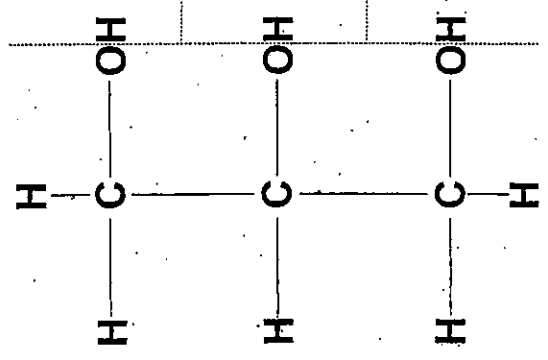
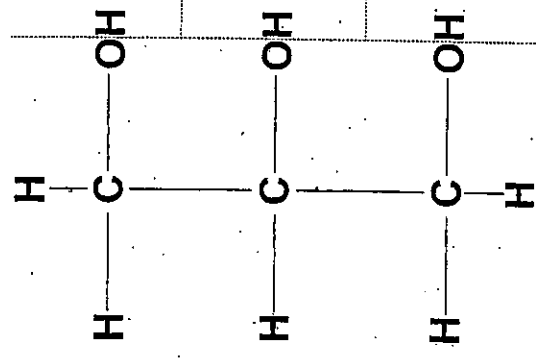
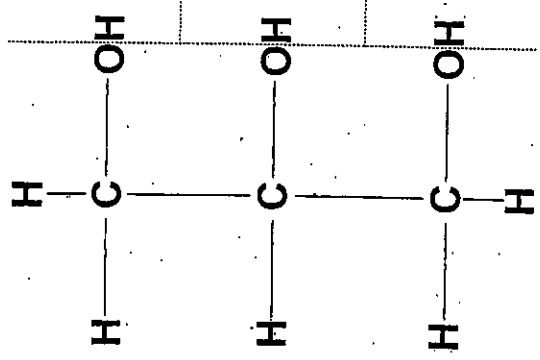
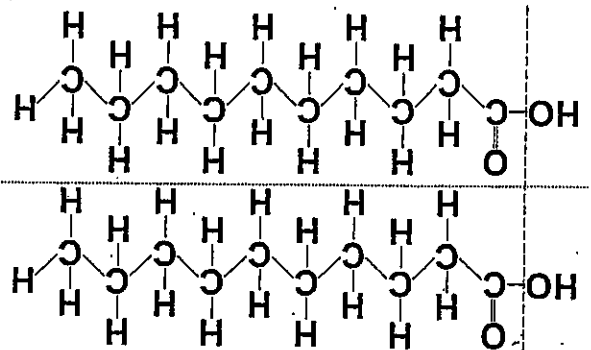
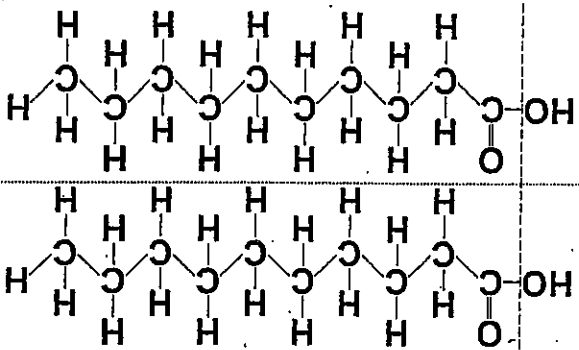
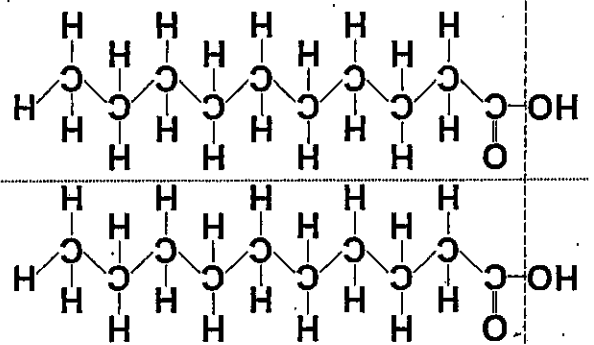
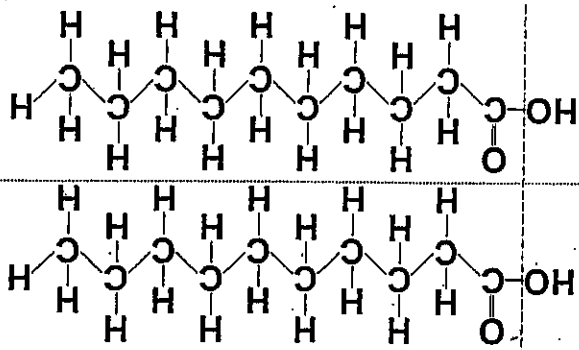
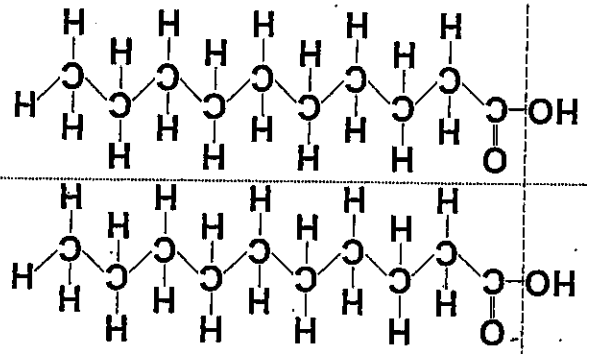
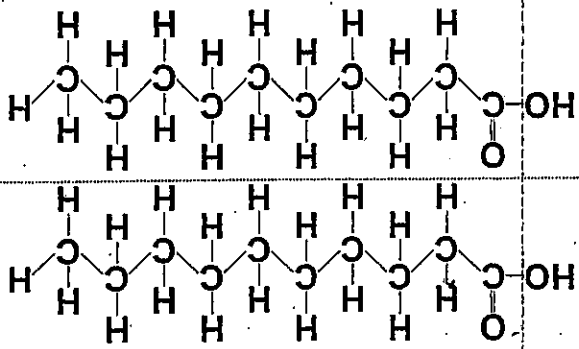


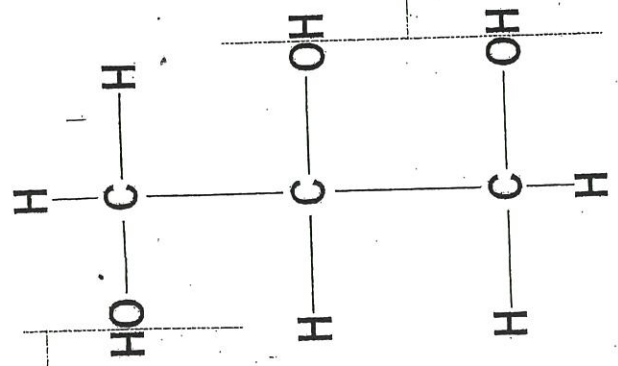
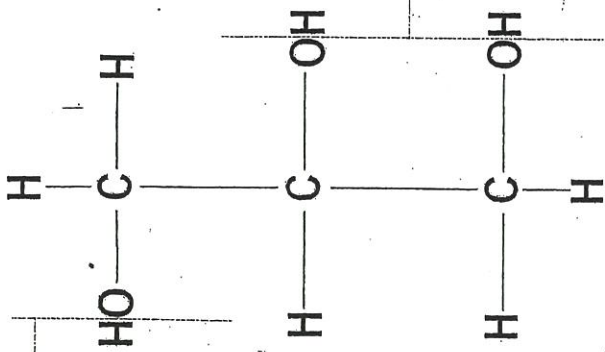
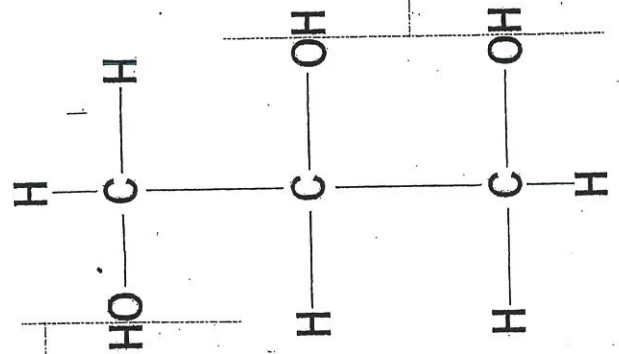
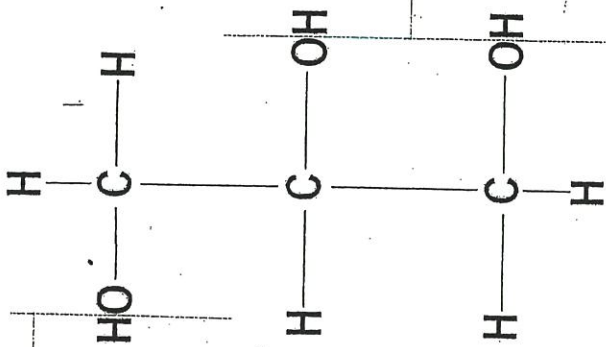
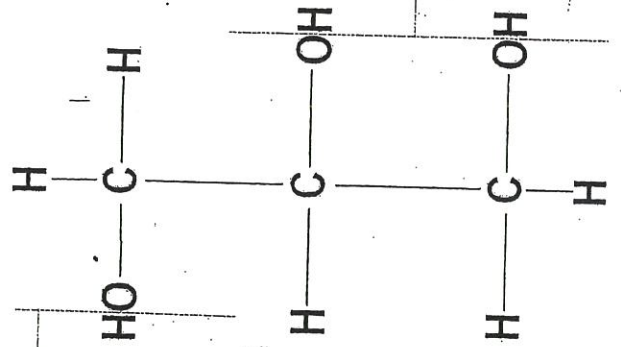
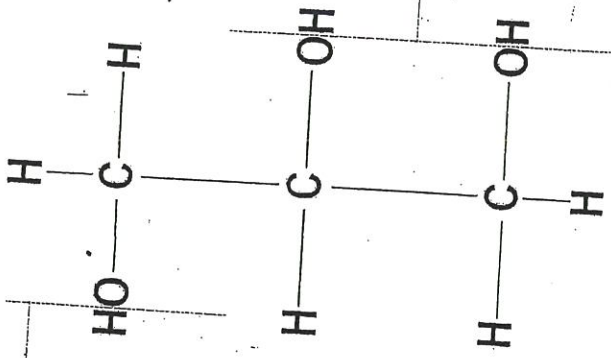
Carbs



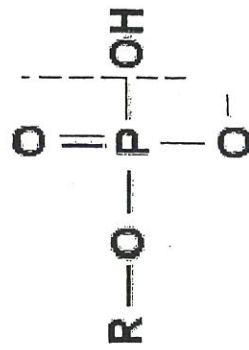
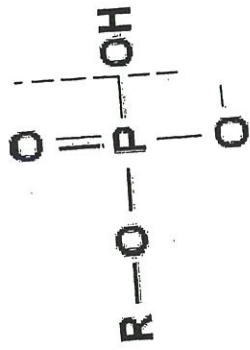
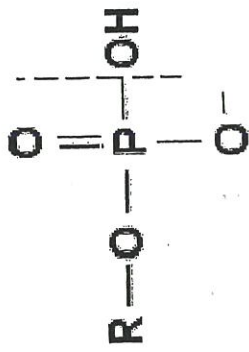
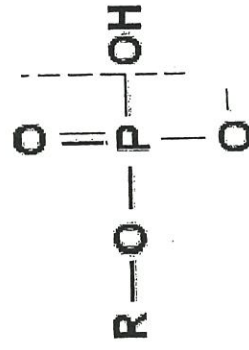
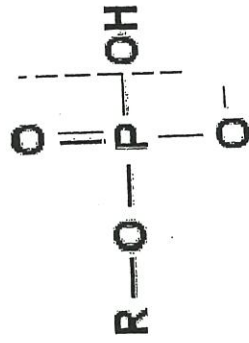
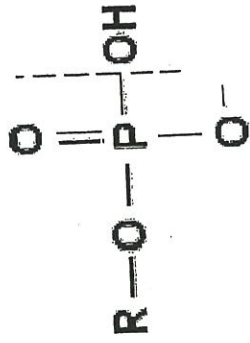
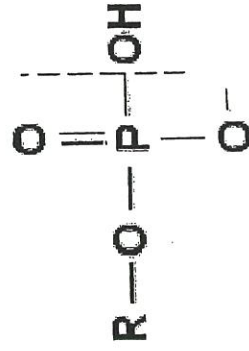
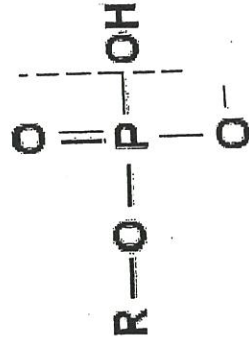
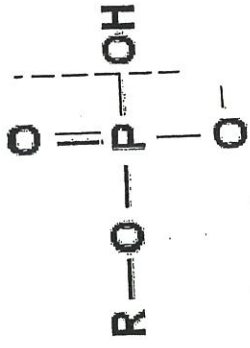


fat

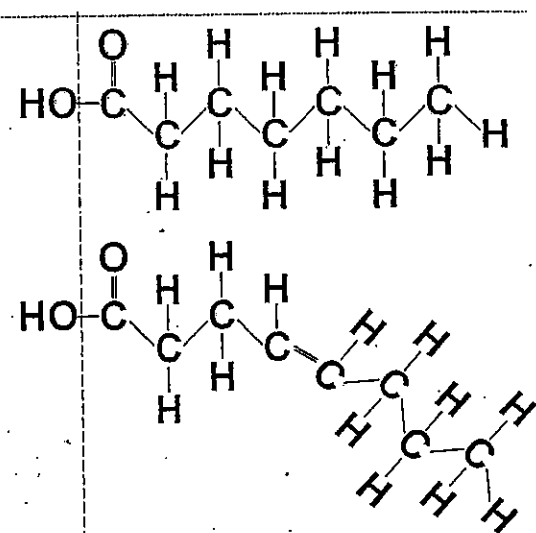
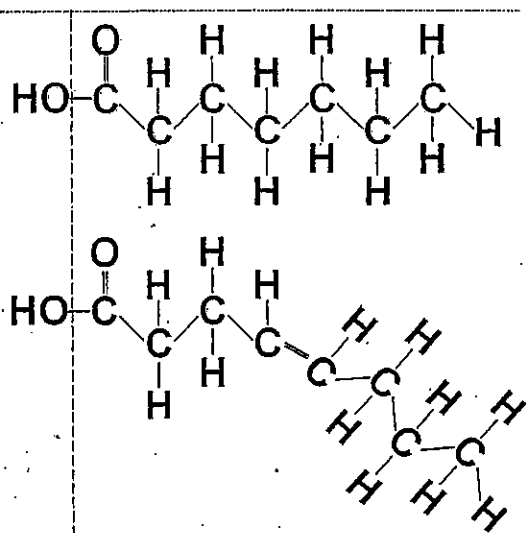
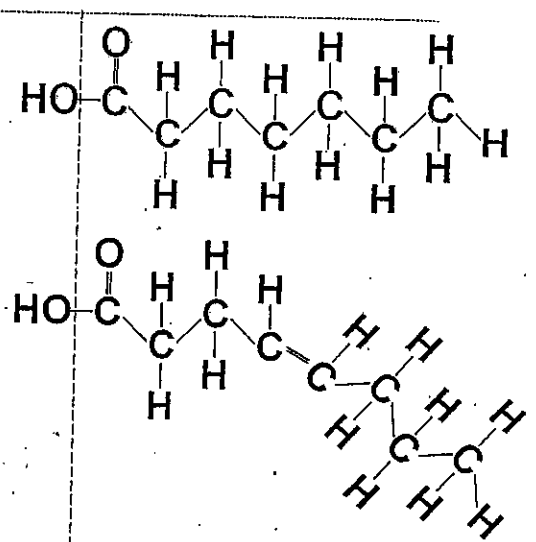
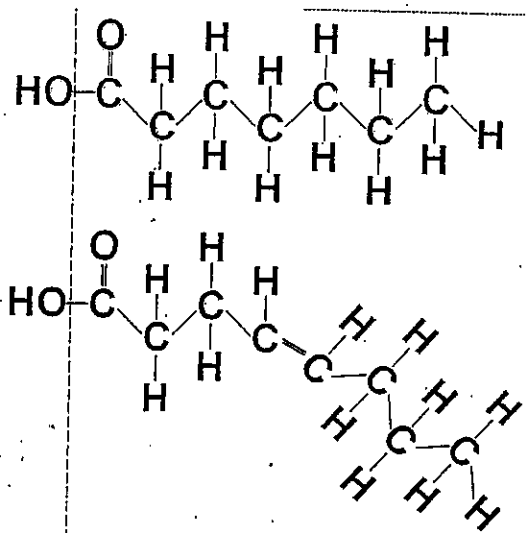
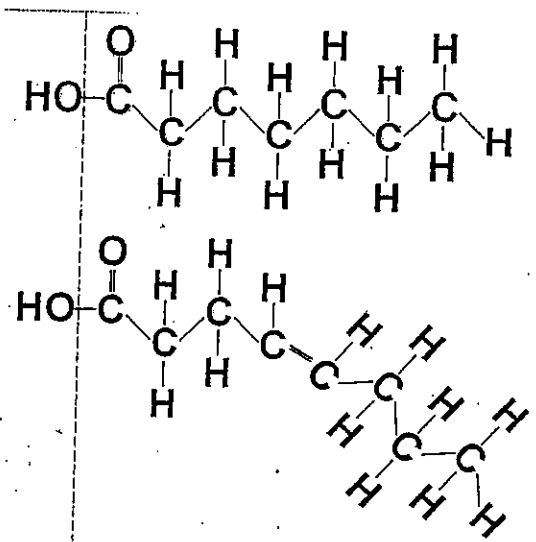
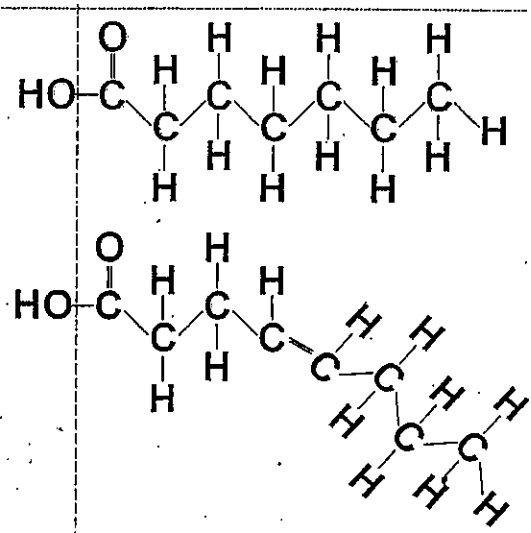




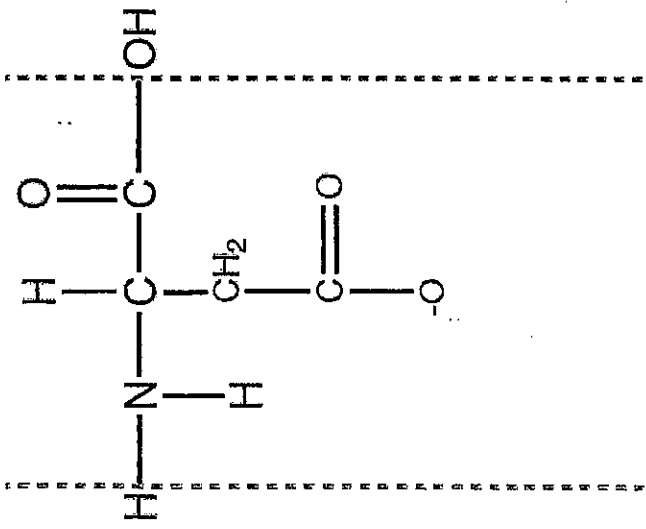
Phospholipid



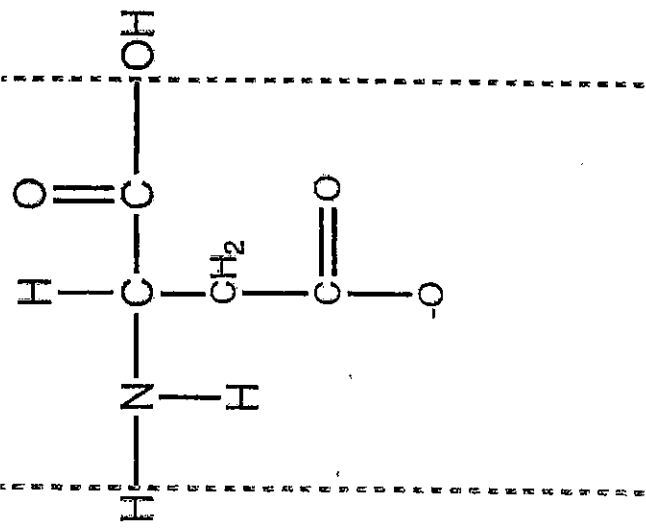
Phospholipid



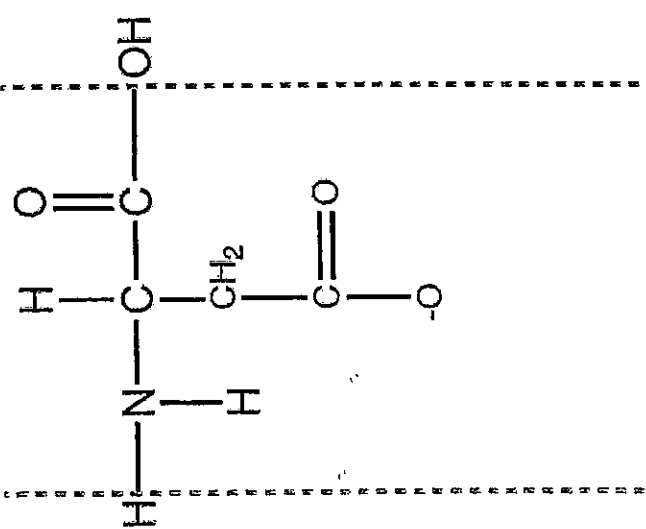
phospholipid



ASPARTIC ACID

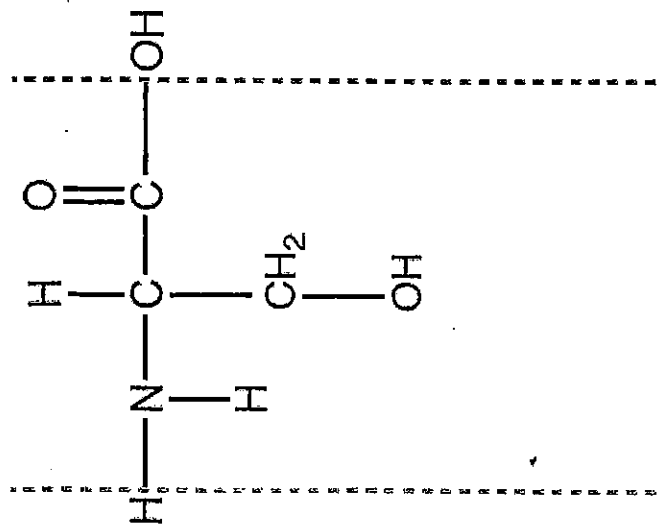


ASPARTIC ACID

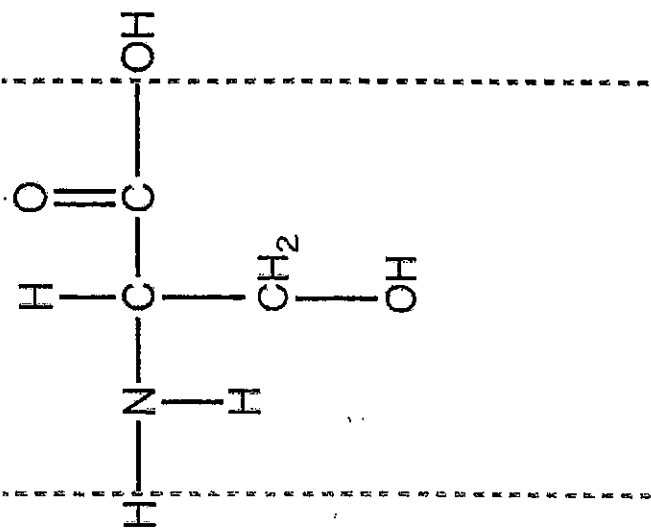


ASPARTIC ACID

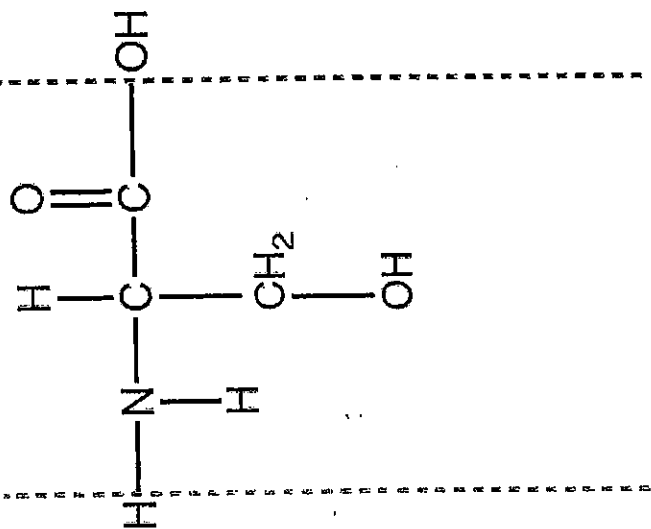




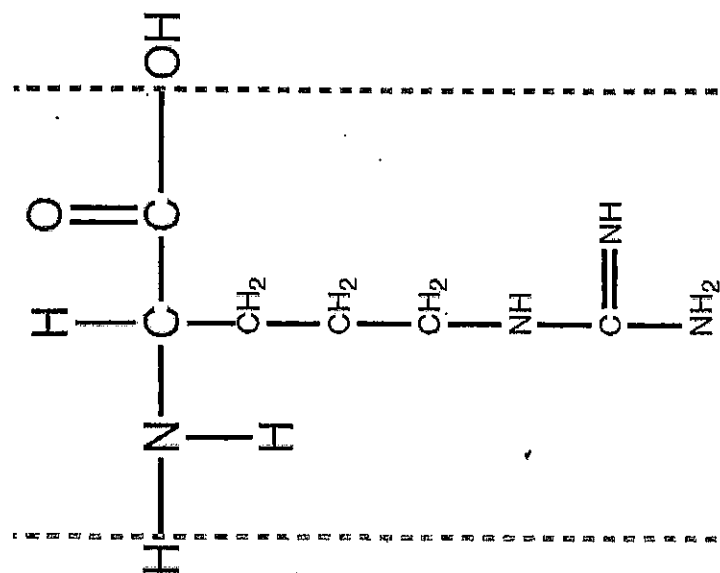
SERINE



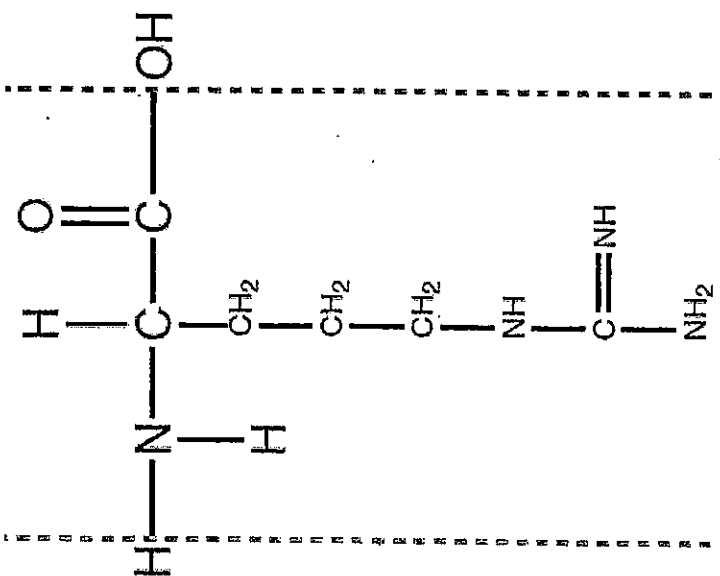
SERINE



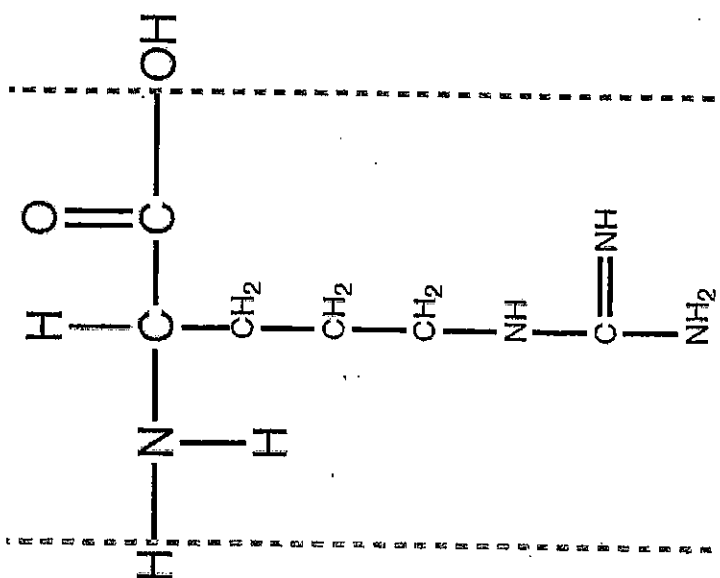
SERINE



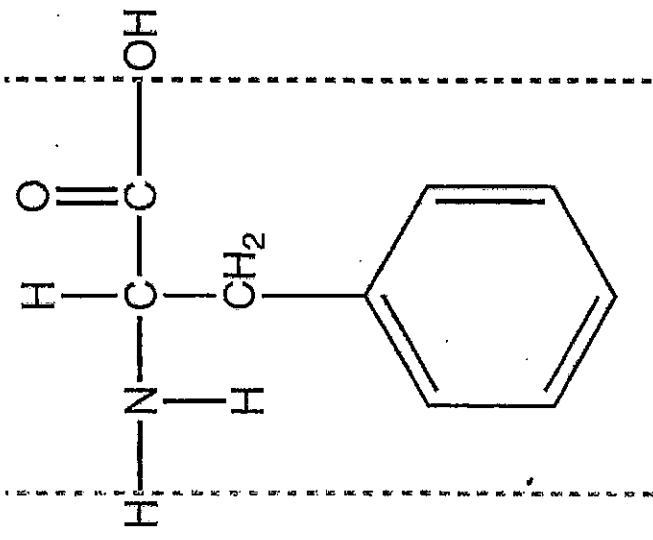
ARGININE



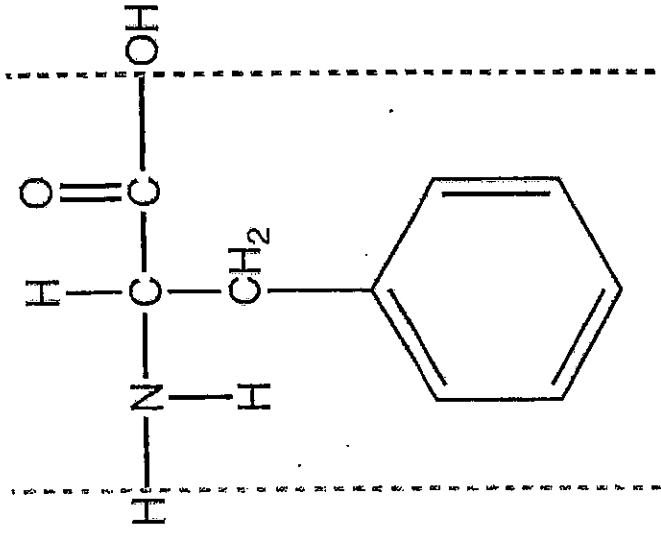
ARGININE



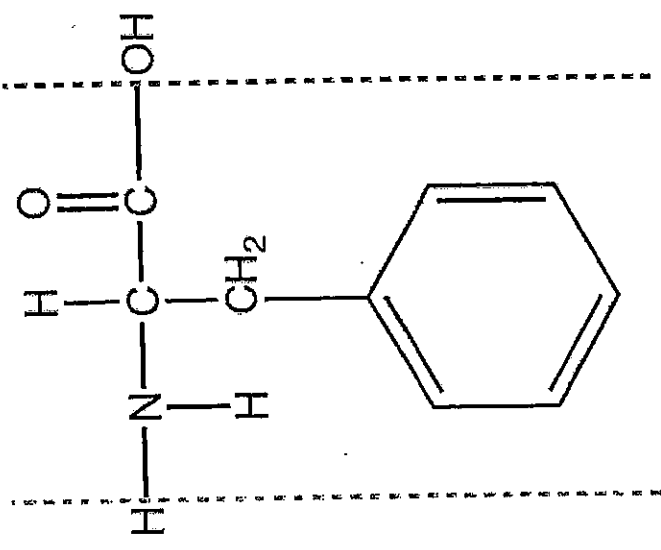
ARGININE



PHENYLALANINE



PHENYLALANINE



PHENYLALANINE